

ON-AIR

BROADCAST

On-Air BC Systems Limited

2 Copper Beech House,
Heathside Crescent,
Woking,
Surrey, GU22 7BB,
United Kingdom
Telephone: +44-(0)1483-722690
Fax: +44-(0)1483-722690
Mobile no: 44-(0)7971-805977
E-Mail Address: sales@on-air-bc.freemove.co.uk
peter@on-air-bc.freemove.co.uk
www.on-airbroadcast.co.uk

AKA Product

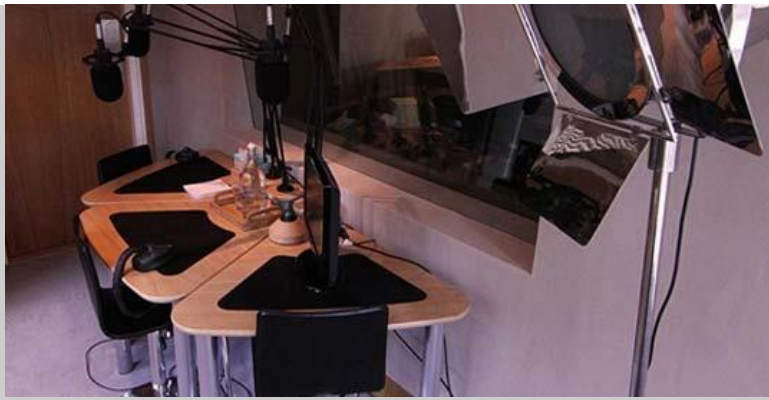
The AKA Product range comprises of Audio desks, which house most leading Audio brands, off-line and on-line editing desks and voice over tables. With this range, AKA can supply a full technical furniture package including; control room furniture, composing furniture, radio desks, editing and voice over desks. We offer a free design service so you can send us a floor plan of your studio and will fit the system in to the space. The design team are always on hand to discuss your individual requirements and can always offer a "Hybrid" solution combining AKAProduct with AKACustom to meet your exact requirements.



AKA Product Ranges







AKA Hybrid

The design team are always on hand to discuss your individual requirements and can always offer a "Hybrid" solution combining AKAProduct with AKACustom to meet your exact requirements.

Hybrid ProWave desks have proved to be an excellent solution for Grading desks and we have also completed projects which incorporate Pandora and Nucoda panels into the ProWave range. We have used this concept to furnish many educational institutions including Liverpool Institute of Performing Arts, Royal College of Art, Newcastle Academy and the Royal College of Music. These educational workstations have been used for editing, mixing, composing, training and teaching areas.

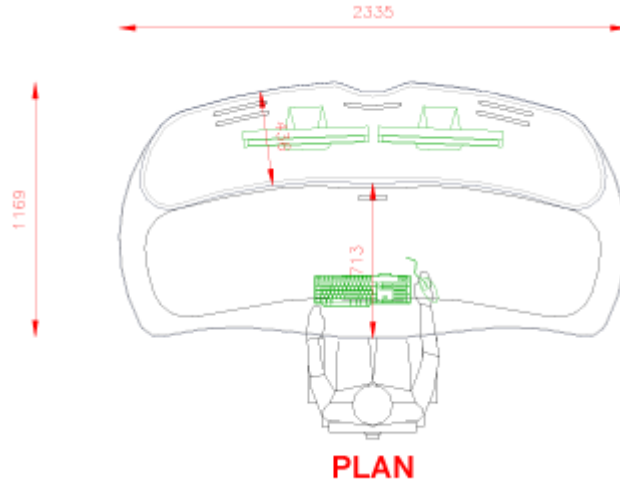


AKA Hybrid

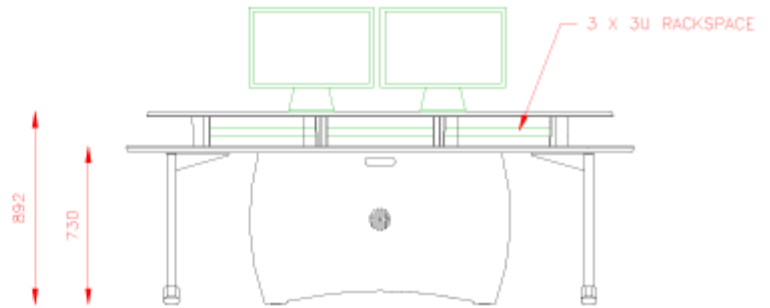


Features List

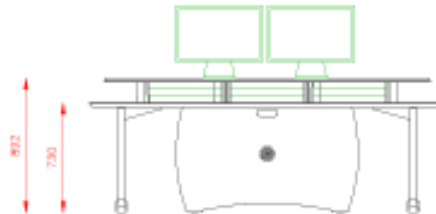
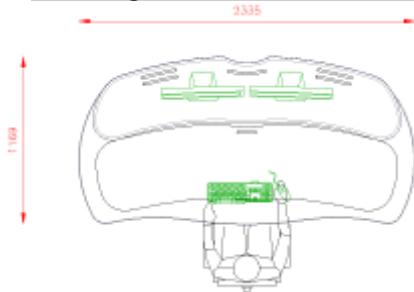
- Configurable desk system for off-line & on-line editing Large 2.4m workspace
- Three 3u top racks and capabilities for integration of bottom 12u racks
- Deep monitor bridge to house Grade 1 and wide screen monitors (optional flat screen monitor bridge available)
- Complete cable management
- Available in Graphite Grey & Crown Oak veneer (as shown) and Royal Blue & Crown Maple
- Self-assembly and flat packed for easy shipping & installation



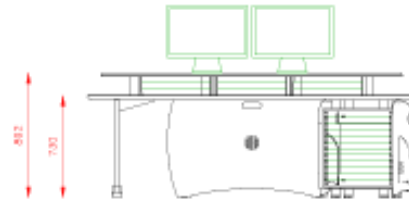
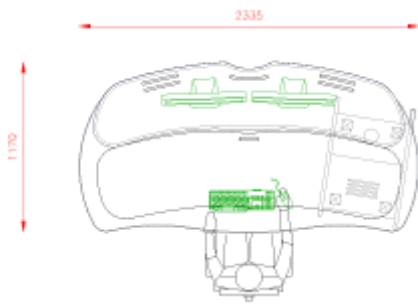
SIDE SECTION



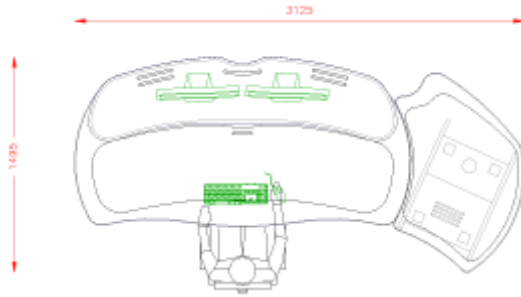
Configurations



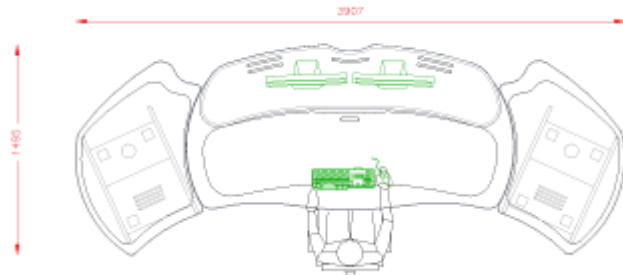
Configuration A
Pro Edit



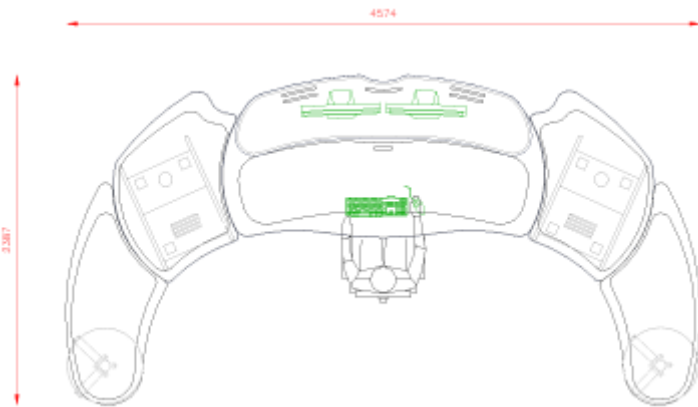
Configuration B
ProEdit + 12u Rack



Configuration C
ProEdit + 12u Rack + RH Worktop



Configuration D
ProEdit + 2 x 12u Rack + RH Worktop + LH Worktop



Configuration E
ProEdit + 2 x 12u Rack + RH Worktop + LH Worktop + RH Wingtip + LH wingtip

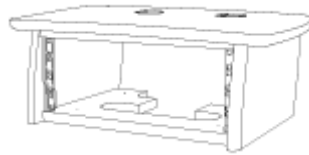
Racks



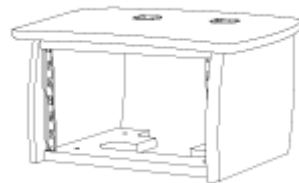
12U Rack
12u rack with adjustable feet. Modular connectivity with rack worktops, can be used as free standing rack. Integral cable management
Available in Blue & Maple or Grey & Oak finish
Supplied with rack strip

Jointer kit - Enables connection of 12u rack to underside of worktops

Rear Racking - For 12u rack



4U Top Rack
4u rack with cable management, supplied with rack strip
Available in Blue or Grey finish



6U Top Rack
6u rack with cable management, supplied with rack strip
Available in Blue or Grey finish

Worktops



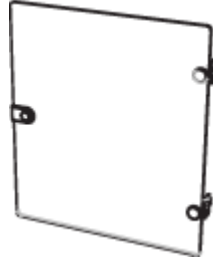
Worktop
Worktop supplied with cable management grommets
Not supplied with Jointer kit
Available in Blue & Maple or Grey & Oak finish



Wingtip

Wingtip with adjustable column leg, fixing plates & 2 cable management grommets supplied
Available in Blue & Maple or Grey & Oak finish

Accessories



Glass Door

6mm toughened glass door with stainless steel fittings and lock



Single monitor arm

(vesa compatible)



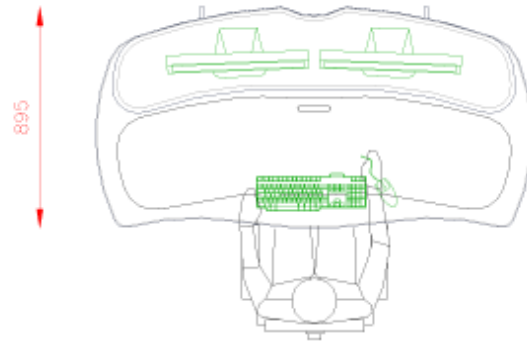
Double monitor arm

(vesa compatible)

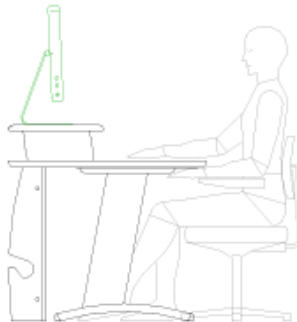
ProMedia Details

Features List

- A compact off-line editing desk
- Compact 1.8m main workspace
- Two 3u top racks with shallow monitor bridge
- Complete cable management
- Available in Graphite Grey & Crown Oak veneer (as shown) and Royal Blue & Crown Maple
- Self-assembly and flat packed for easy shipping & installation



PLAN VIEW

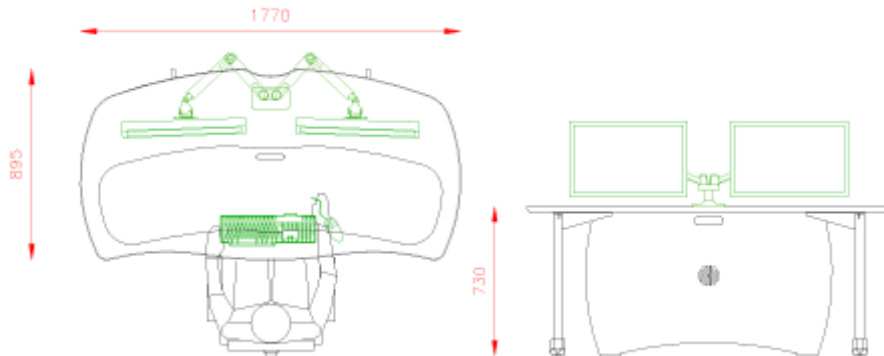


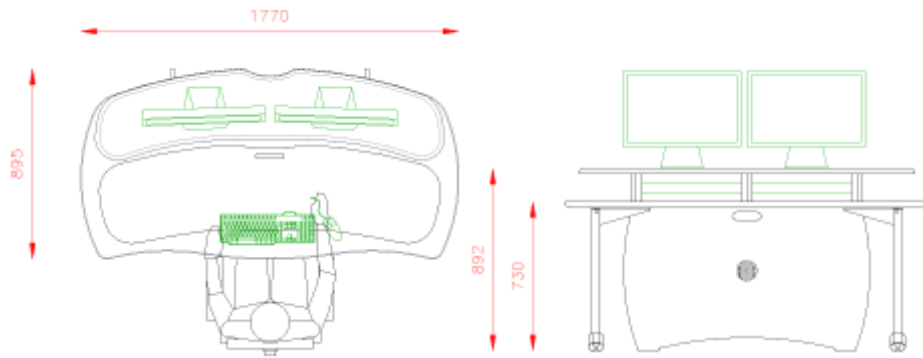
SIDE SECTION



FRONT ELEVATION

Configurations





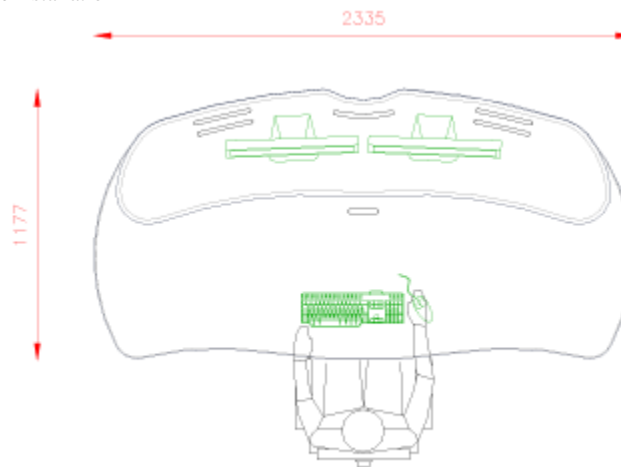
ProMedia



ProLite Details

Features List

- A compact off-line editing desk
- Compact 1.8m main workspace
- Two 3u top racks with shallow monitor bridge
- Complete cable management
- Available in Crown Oak veneer and Crown Maple veneer
- Self-assembly and flat packed for easy shipping & installation



PLAN

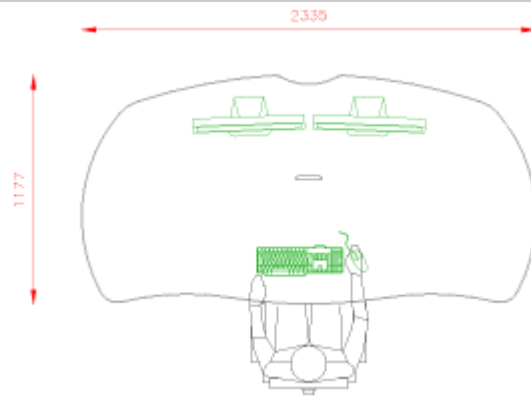


SIDE SECTION



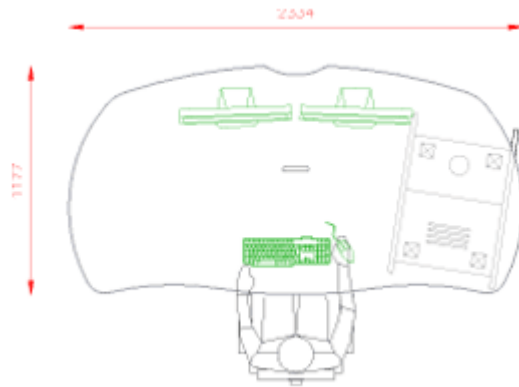
ELEVATION

Configurations



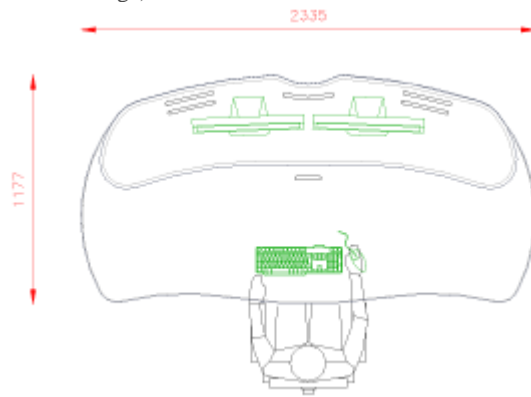
Configuration A

ProLite XB (without Monitor Bridge)



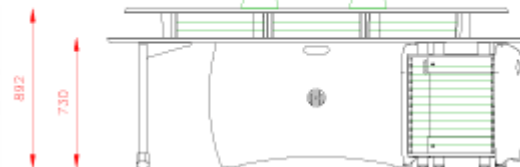
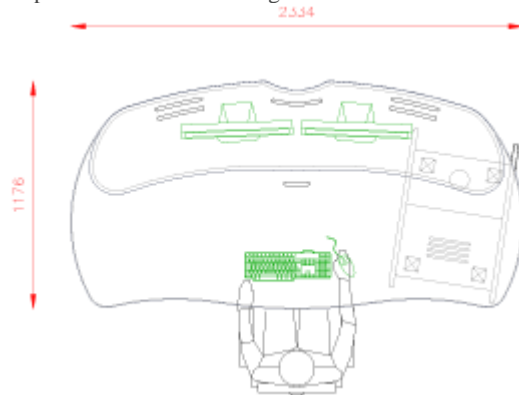
Configuration B

ProLite XB (without Monitor Bridge) + 12U rack



Configuration C

ProLite including 3 x 3U Top Racks & Monitor Bridge



Configuration D

ProLite including 3x 3U top racks & Monitor Bridge + 12U rack

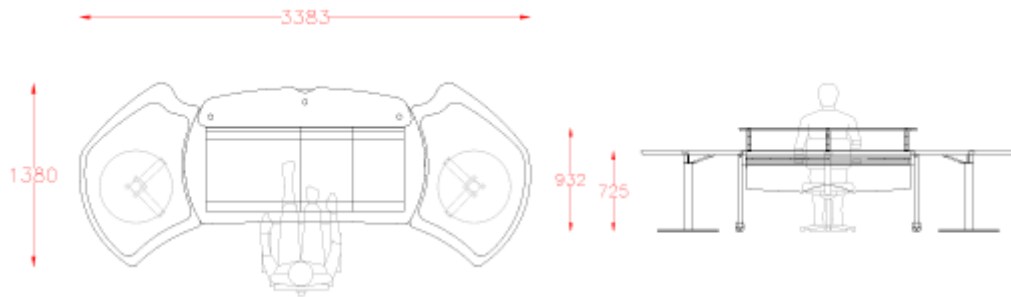


The ProWave system is a modular desking system

which holds various equipment for the audio, post and broadcast industries. The user has the opportunity to create their own personal configuration offering combinations of racks and worktops to suit specific needs. The flexibility of this system has enabled it to be used for grading, editing and radio facilities.

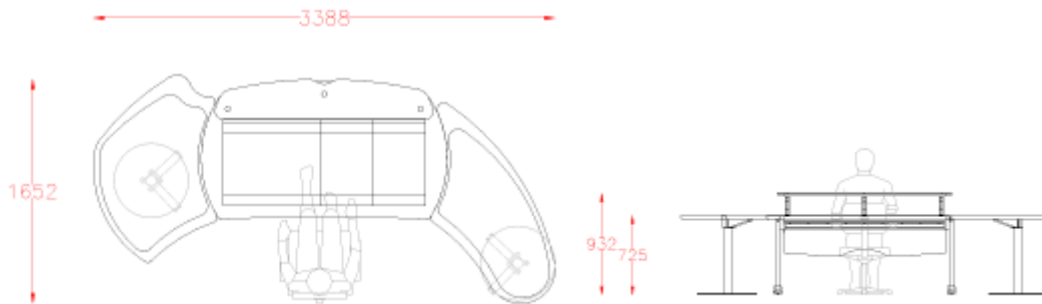
This product range comes flat packed which makes it easy to ship and assemble on site. We offer a free design layout service, so if you send us a floor plan of your studio we will fit your ProWave system into the space. We also offer Hybrid with the ProWave range; this means custom sections can be built if required for a specific project.

Configurations



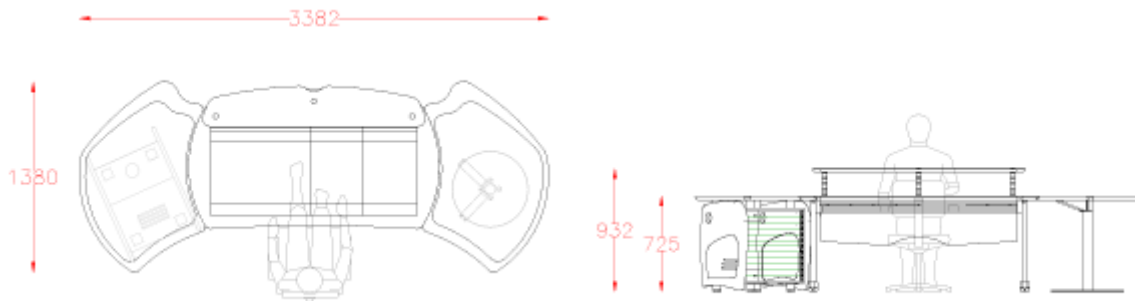
Configuration A

ProW50 + Monitor Bridge + LH Worktop + RH Worktop + 2 x Column Legs



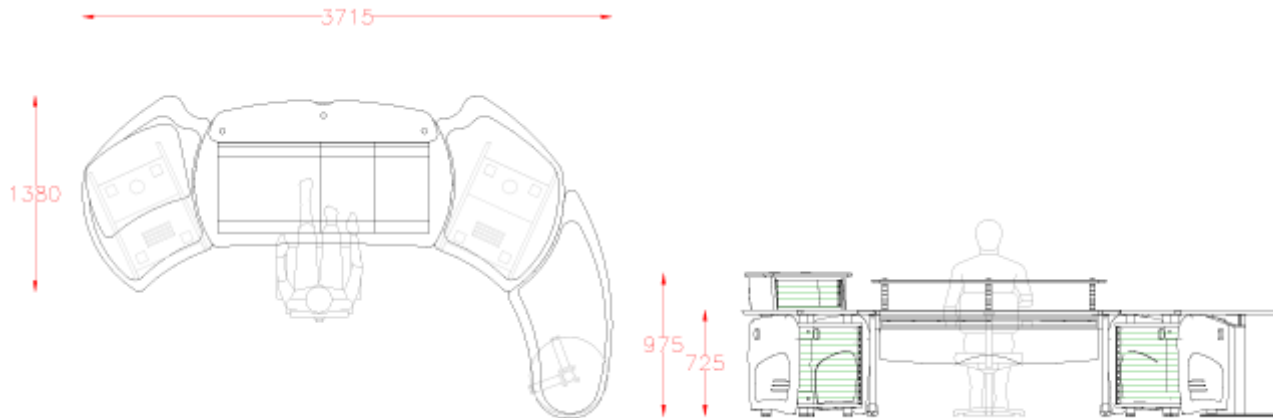
Configuration B

ProW50 + Monitor Bridge + LH Worktop + RH Wingtip + Column Leg



Configuration C

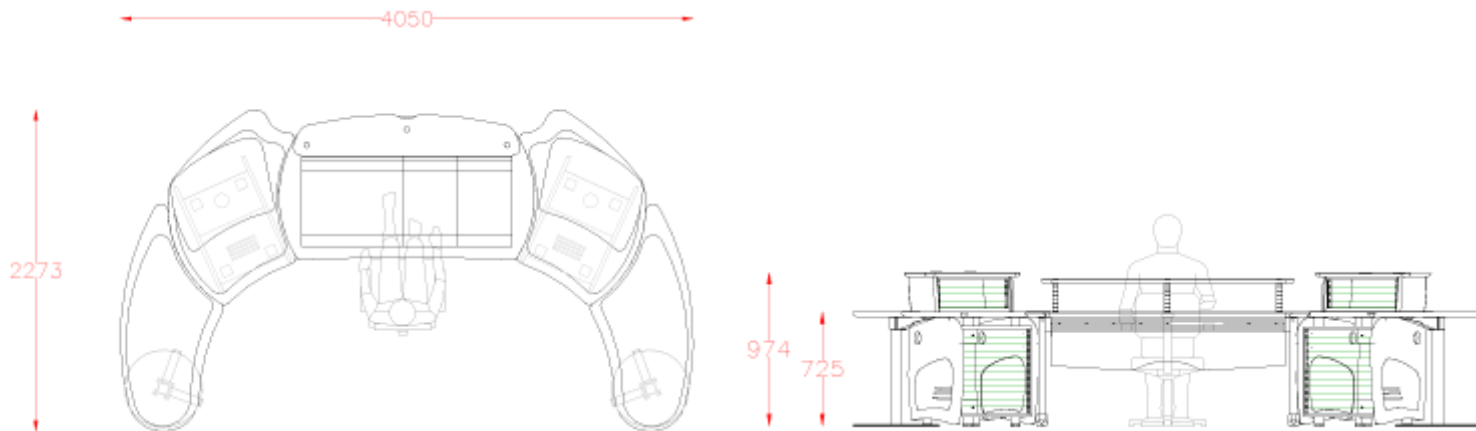
ProW50 + Monitor Bridge + LH Worktop + RH Worktop + 12U rack + Column Leg



Configuration D

ProW50 + Monitor Bridge + LH Worktop + LU 4U Rack + RH Worktop + RH Wingtip + 2 x 12U racks

£



Configuration E

ProW50 + Monitor Bridge + LH Worktop + LH 4U rack + LH Wingtip + RH Worktop + RH 4U rack + RH Wingtip + 2 x 12U Racks

Centre Sections



ProW25

Accommodates Avid's ProControl + 1 Fader . Available in Grey or Blue powder coat finish

Monitor Bridge (Available in Grey or Blue powder coat finish)

ProW55

Accommodates Avid's ProControl + 2 Faders . Available in Grey or Blue powder coat finish

Monitor Bridge (Available in Grey or Blue powder coat finish)

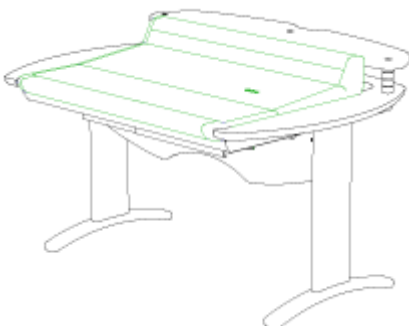
Audient Zen

Accomodate Audient Zen. Available in Grey or Blue powder coat finish

Monitor Bridge (Available in Grey or Blue powder coat finish)

Matrix

Accommodates Solid State Logic's Matrix. Available in Grey or Blue powder coat finish



C|24

Accomodate Avid's C|24. Available in Grey or Blue powder coat finish

C|24 optional Monitor shelf / Cable cover

Available in Grey or Blue powder coat finish

Racks



12U Rack

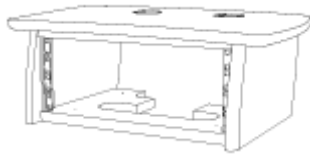
12u rack with adjustable feet. Modular connectivity with rack worktops, can be used as free standing rack. Integral cable management

Available in Blue & Maple or Grey & Oak finish

Supplied with rack strip

Jointer kit - Enables connection of 12u rack to underside of worktops

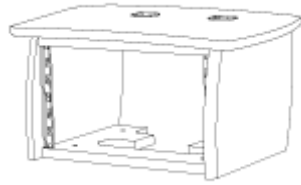
Rear Racking - For 12u rack



4U Top Rack

4u rack with cable management, supplied with rack strip

Available in Blue or Grey finish



6U Top Rack

6u rack with cable management, supplied with rack strip

Available in Blue or Grey finish

Worktops



Worktop

Worktop supplied with cable management grommets

Not supplied with Jointer kit

Available in Blue & Maple or Grey & Oak finish



Console Worktop

Worktop supplied with cable management grommets

Not supplied with Jointer kit

Available in Blue & Maple or Grey & Oak finish



Wingtip

Wingtip with adjustable column leg, fixing plates & 2 cable management grommets supplied

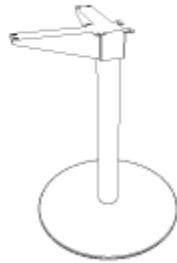
Available in Blue & Maple or Grey & Oak finish

Accessories



Glass Door

6mm toughened glass door with stainless steel fittings and lock



Column Leg



Single monitor arm

(vesa compatible)



Double monitor arm

(vesa compatible)

For Avid S6



The ProWave system is a modular desking system which holds various equipment for the audio, post and broadcast industries. The user has the opportunity to create their own personal configuration offering combinations of racks and worktops to suit specific needs. The flexibility of this system has enabled it to be used for grading, editing and radio facilities.

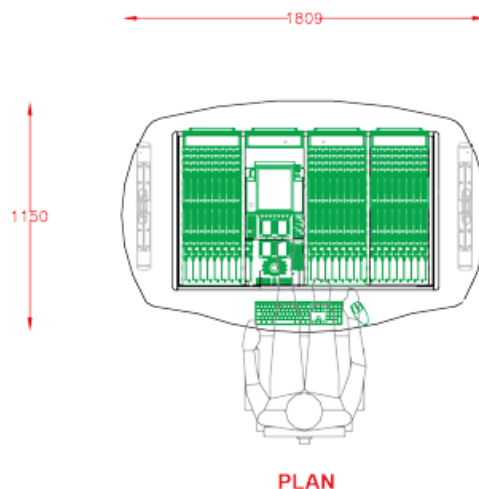
This product range comes flat packed which makes it easy to ship and assemble on site. We offer a free design layout service, so if you send us a floor plan of your studio we will fit your ProWave system into the space. We also offer Hybrid with the ProWave range; this means custom sections can be built if required for a specific project.

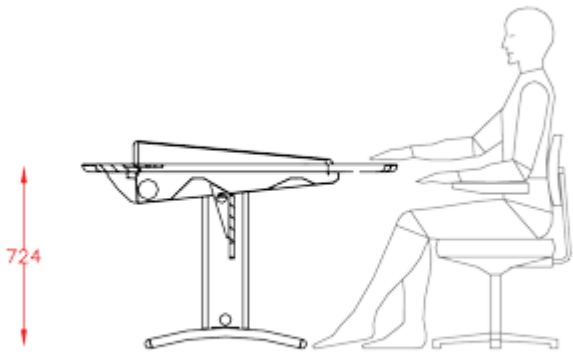
ProWave for Avid S6

Details

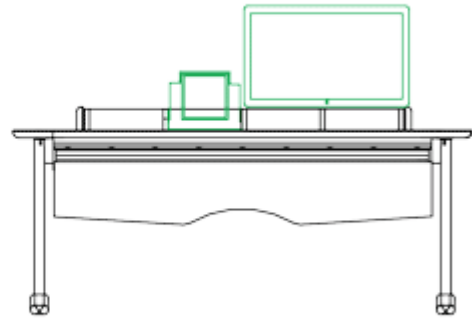
Features List

- Centre sections for various configurations of Avid's S6 5 & 9 knob console
- Modular assembly with capabilities for various combinations of racks and worktops
- Capabilities for a glass acoustic door for the 12U bottom rack
- Optional Integrated adjustable monitor arm system
- Available in Grey & Crown Oak veneer and Blue & Crown Maple
- Self-assembly and flat packed for easy shipping & installation
- Complete cable management



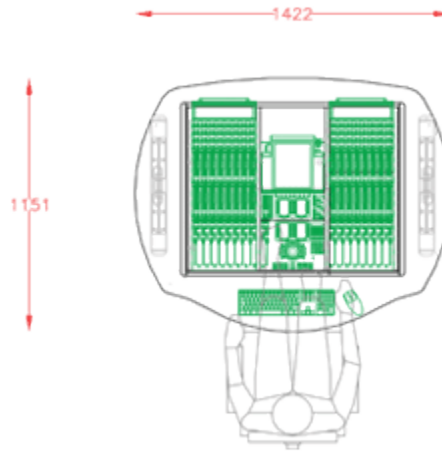


SIDE SECTION



ELEVATION

Centre Sections



Avid S6 - 16 Fader

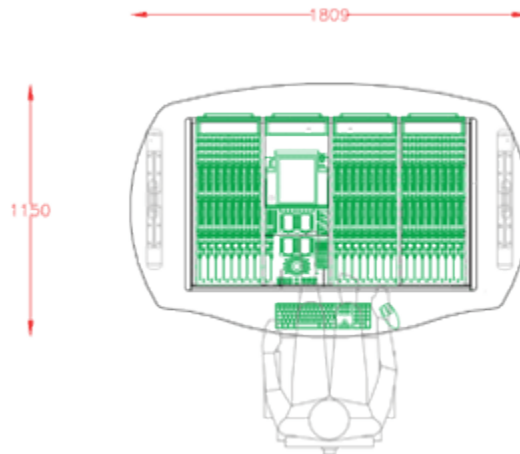
ProWave W25 compatible with Avid S6 M10/M40 3-bay 5 or 9 knob

M10/M40 5 knob

M10/M40 9 knob

Conversion of Existing W25 desk for M10/M40 5 Knob

Conversion of Existing W25 desk for M10/M40 9 Knob



Avid S6 - 24 Fader

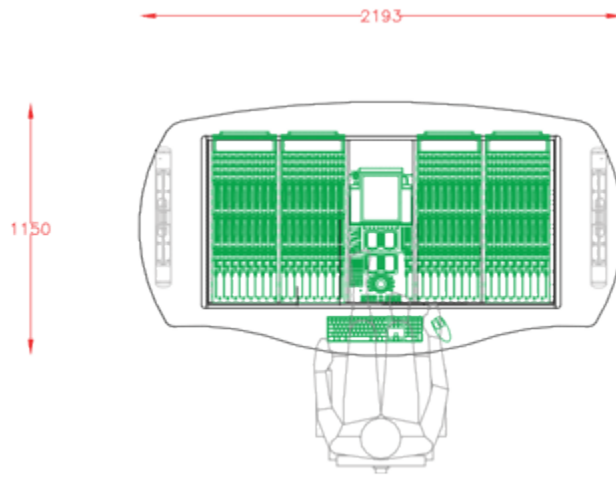
ProWave W50 compatible with Avid S6 M10/M40 4-bay 5 or 9 knob

M10/M40 5 knob

M10/M40 9 knob

Conversion of Existing W50 desk for M10/M40 5 Knob

Conversion of Existing W50 desk for M10/M40 9 Knob



Avid S6 - 32 Fader

ProWave W75 compatible with Avid S6 M10/M40 5-bay 5 or 9 knob

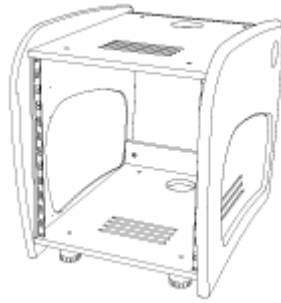
M10/M40 5 knob

M10/M40 9 knob

Conversion of Existing W75 desk for M10/M40 5 Knob

Conversion of Existing W75 desk for M10/M40 9 Knob

Racks



12U Rack

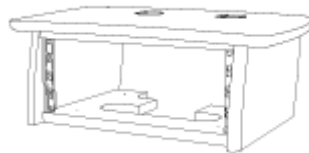
12u rack with adjustable feet. Modular connectivity with rack worktops, can be used as free standing rack. Integral cable management

Available in Blue & Maple or Grey & Oak finish

Supplied with rack strip

Jointer kit - Enables connection of 12u rack to underside of worktops

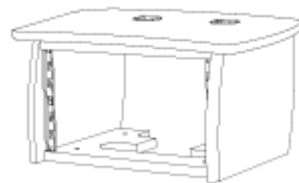
Rear Racking - For 12u rack



4U Top Rack

4u rack with cable management, supplied with rack strip

Available in Blue or Grey finish



6U Top Rack

6u rack with cable management, supplied with rack strip

Available in Blue or Grey finish

Worktops



Worktop

Worktop supplied with cable management grommets

Not supplied with Jointer kit

Available in Blue & Maple or Grey & Oak finish

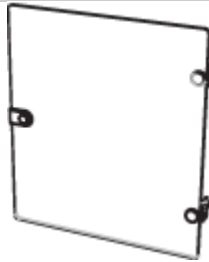


Wingtip

Wingtip with adjustable column leg, fixing plates & 2 cable management grommets supplied

Available in Blue & Maple or Grey & Oak finish

Accessories



Glass Door

6mm toughened glass door with stainless steel fittings and lock



Single monitor arm

(vesa compatible)



Double monitor arm

(vesa compatible)

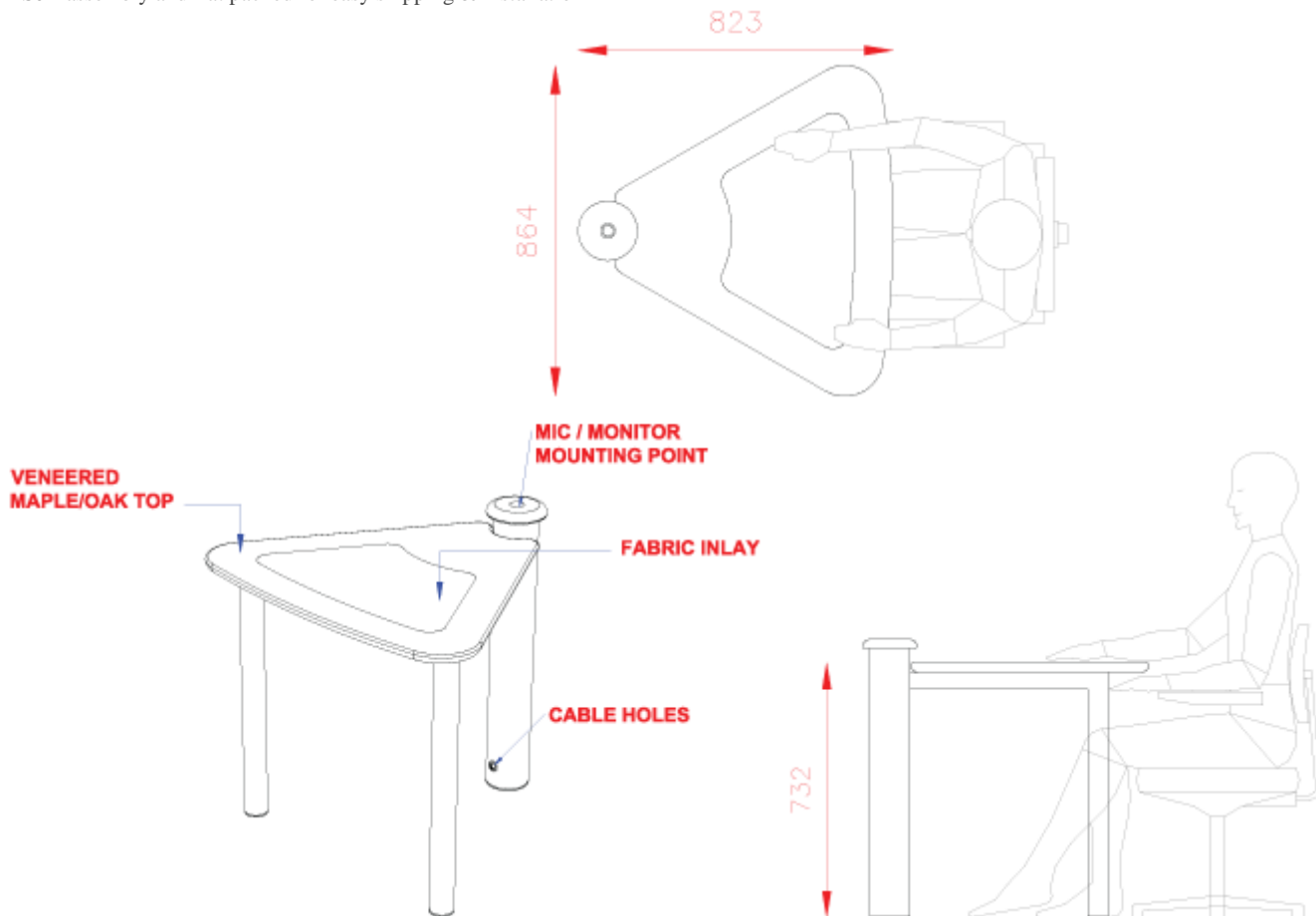


The PROVOICE desk is an acoustic/voice over table for Audio, Post and Radio facilities. The desk has a modular design that can be expanded to suit any studio environment. AKA's Product range comes flat packed, which makes it easy to ship and assemble on site. We offer a free design layout service, so if you send us a floor plan of your studio & main equipment we will fit your system into the space.

ProVoice Details

Features List

- Universal acoustic table for use in "voice over" or "blogging" applications for the post production and radio industries
- Rigid metal framed base and fabric acoustic panel
- Complete cable management
- Available in Graphite Grey & Crown Oak veneer (as shown) and Royal Blue & Crown Maple
- Self-assembly and flat packed for easy shipping & installation



On-Air BC Systems Limited

2 Copper Beech House, Heathside Crescent, Woking, Surrey, GU22 7BB, United Kingdom
 Telephone: +44-(0)1483-722690 Fax: +44-(0)1483-722690 Mobile no: 44-(0)7971-805977

E-Mail Address: sales@on-air-bc.freeserve.co.uk peter@on-air-bc.freeserve.co.uk www.on-airbroadcast.co.uk